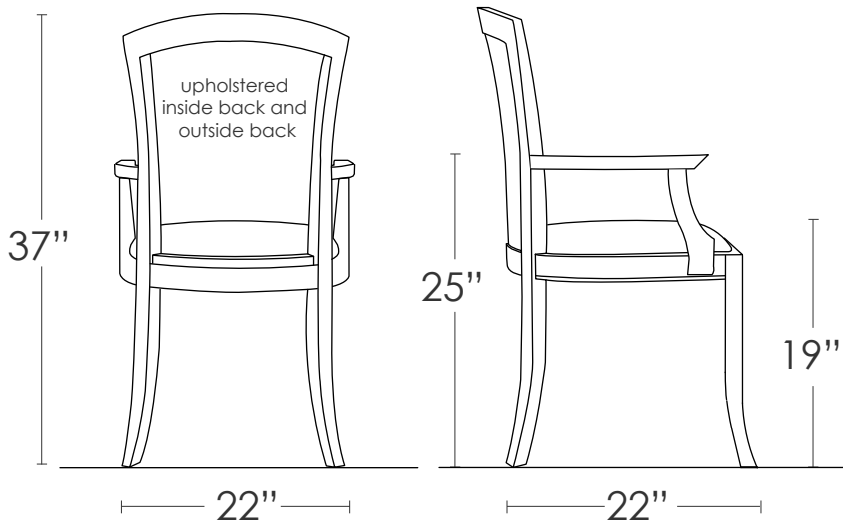


KARI ARMCHAIR



KARI ARMCHAIR



MATERIALS:



medium maple
stain on maple

- * Available in various aniline dye colors or wood stains
- * Upholstered seat C.O.M or C.O.L.
- * Also available in counter or bar height

The Kari Armchair presents a remarkable feat of traditional craftsmanship. Designed to compliment and complete any set of hand carved chairs in our "Between the Lines" collection.

S-21