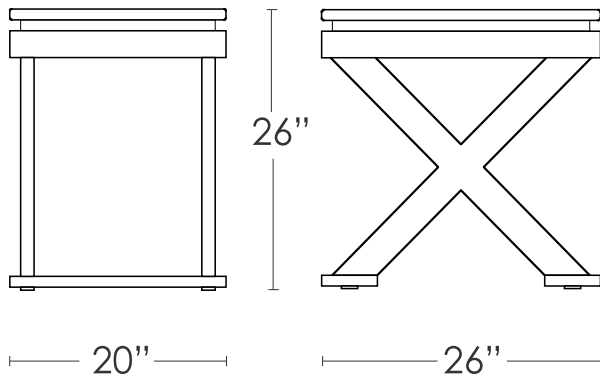


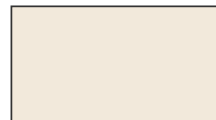
# ZEUS END TABLE



## ZEUS END TABLE



## MATERIALS:



crème lacquer



macassar ebony

\* other materials and finishes available

This exquisite macassar ebony x-base table supports a crème colored satin lacquer top with hi-gloss crème lacquer accents.

T-4