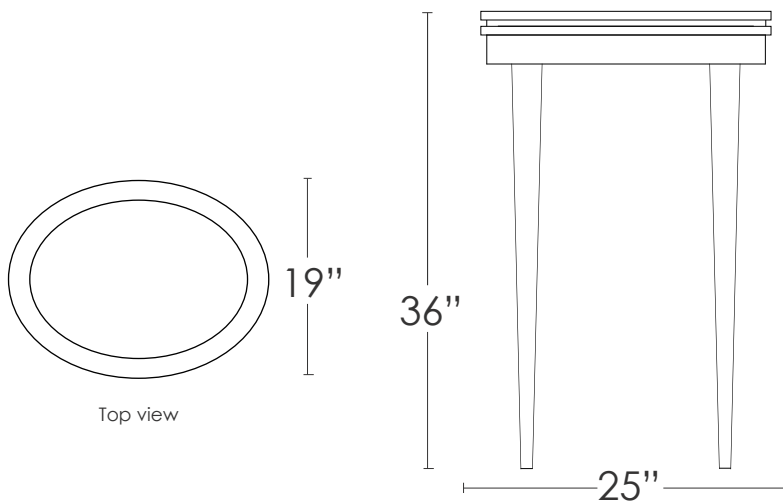


# OTTO HIGH TABLE



## OTTO TABLE



## MATERIALS:



walnut



walnut burl

\* other woods available

Available in two versions; Shown here in the taller version, the table is walnut with distinct triangular legs; a walnut burl inlaid top with a cream lacquer reveal and is offered as a flip top table/ottoman.

T-8